

VF25M-2



VF50M



VF75M

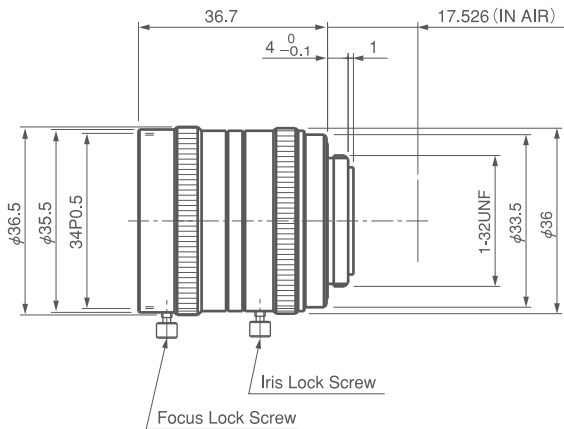


● SPECIFICATIONS

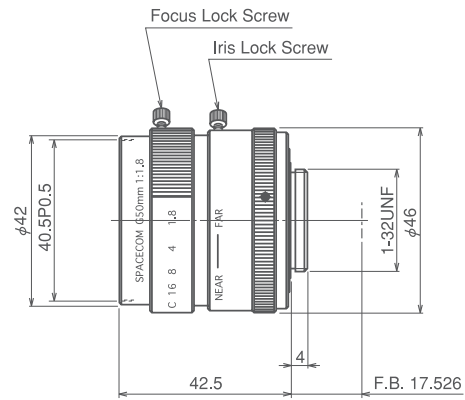
Part NO.	Image Size	Mount	Focal Length f =	Iris Range	Angle of View	M.O.D.	Operation			F.B.	Filter Size	Size (mm)	Weight
							Focus	Zoom	Iris				
VF25M-2	1"	C	25mm	F1.4-Close	28.7×21.7°	0.5m	Manual	—	Manual	17.526mm	34mm	φ36.5×36.7	85g
VF50M	1"	C	50mm	F1.8-Close	14.5×10.9°	0.7m	Manual	—	Manual	17.526mm	40.5mm	φ46.0×42.5	140g
VF75M	1"	C	75mm	F1.8-Close	9.7×7.3°	0.8m	Manual	—	Manual	17.526mm	46mm	φ48.0×58.5	245g

● DIMENSIONS

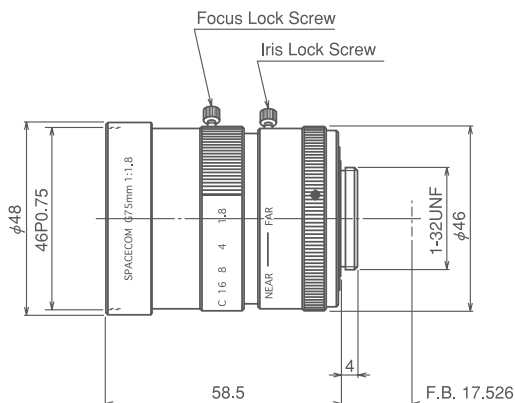
VF25M-2



VF50M



VF75M



Unit:mm

SUBJECT TO CHANGE WITHOUT NOTICE.

