

1/2" Machine Vision

Super Wide, Wide, Standard and Telephoto Lenses for 1/2"

HF3.5M-2



HF6M-2



HF12M-2



HF35M

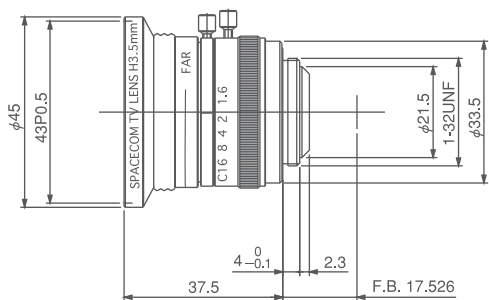


SPECIFICATIONS

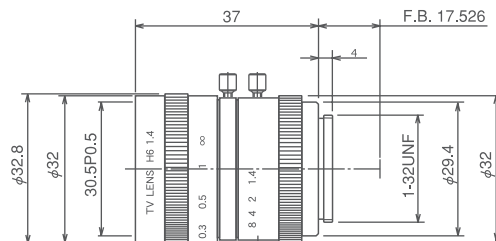
Part NO.	Image Size	Mount	Focal Length f=	Iris Range	Angle of View	M.O.D.	Operation			F.B.	Filter Size	Size (mm)	Weight
							Focus	Zoom	Iris				
HF3.5M-2	1/2"	C	3.5mm	F1.6-Close	84.9×68.9°	0.1m	Manual	—	Manual	17.526mm	43mm	φ45×37.5	90g
HF6M-2	1/2"	C	6mm	F1.4-Close	56.1×43.6°	0.2m	Manual	—	Manual	17.526mm	30.5mm	φ32.8×37.0	70g
HF12M-2	1/2"	C	12mm	F1.4-Close	29.9×22.6°	0.3m	Manual	—	Manual	17.526mm	30.5mm	φ32.8×37.0	65g
HF35M	1/2"	C	35mm	F1.2-Close	10.4×7.8°	1.0m	Manual	—	Manual	17.526mm	40.5mm	φ46.0×42.5	145g

DIMENSIONS

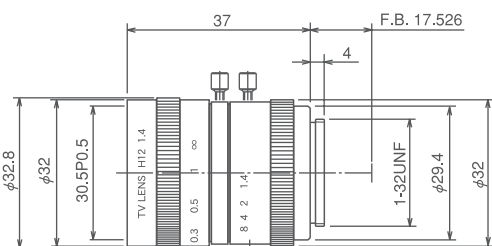
HF3.5M-2



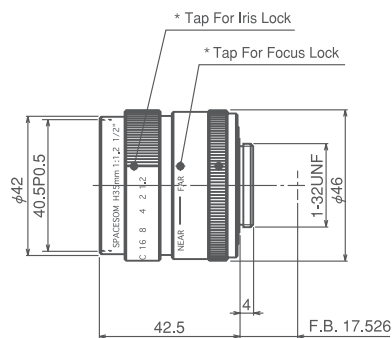
HF6M-2



HF12M-2



HF35M



NOTE)* Please Ask If You Need Iris/Focus Lock Screw



Unit:mm
SUBJECT TO CHANGE WITHOUT NOTICE