

11-20X High-Resolution

11-20x Vari-Focal Lenses

TV555M



TV555DC



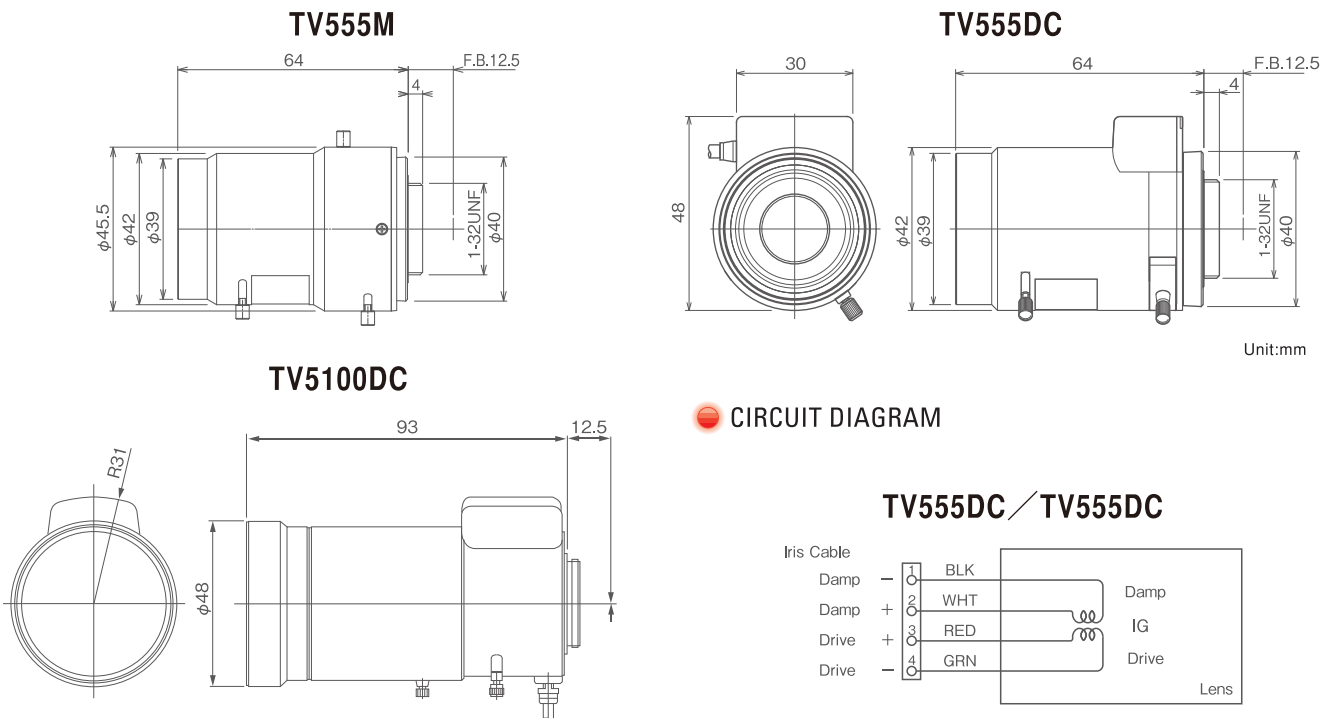
TV5100DC



DIMENSIONS

Part NO.	Image Size	Mount	Focal Length f=	Iris Range	Angle of View	M.O.D.	Operation			F.B.	Filter Size	Size (mm)	Weight
							Focus	Zoom	Iris				
TV555M	1/3"	CS	5-55mm	F1.4-Close	53.1×40.0°~4.8×3.6°	0.3-0.8m	Manual	Manual	Manual	12.5mm	—	45.5×42×64	73g
TV555DC	1/3"	CS	5-55mm	F1.4-360	53.1×40.0°~4.8×3.6°	0.3-0.8m	Manual	Manual	DC	12.5mm	—	48×42×64	93g
TV5100DC	1/3"	CS	5-100mm	F1.6-360	52.7×40.0°~2.8×2.1°	0.3-1.0m	Manual	Manual	DC	12.5mm	—	φ48.0×93.0	190g

DIMENSIONS



CIRCUIT DIAGRAM

