

# 2/3" Machine Vision

Wide, Standard and Telephoto Lenses for 2/3"

**JF7.5M-2**



**JF8M-2**



**JF16M-2**



**JF50M**

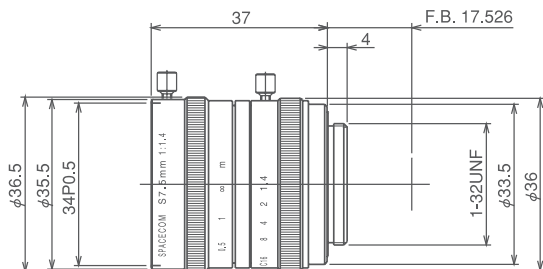


**SPECIFICATIONS**

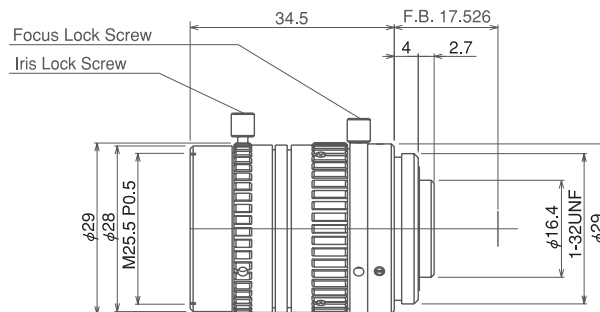
Part NO.	Image Size	Mount	Focal Length f=	Iris Range	Angle of View	M.O.D.	Operation			F.B.	Filter Size	Size (mm)	Weight
							Focus	Zoom	Iris				
<b>JF7.5M-2</b>	2/3"	C	7.5mm	F1.4-Close	60.8×47.5°	0.2m	Manual	—	Manual	17.526mm	34mm	φ36.5×37.0	90g
<b>JF8M-2</b>	2/3"	C	8mm	F1.3-Close	62.0×46.8°	0.2m	Manual	—	Manual	17.526mm	25.5mm	φ29.0×34.5	60g
<b>JF16M-2</b>	2/3"	C	16mm	F1.4-Close	30.7×23.3°	0.4m	Manual	—	Manual	17.526mm	27mm	φ30.0×30.0	45g
<b>JF50M</b>	2/3"	C	50mm	F1.8-Close	11.0×8.3°	0.7m	Manual	—	Manual	17.526mm	30.5mm	φ32.0×34.0	50g

**DIMENSIONS**

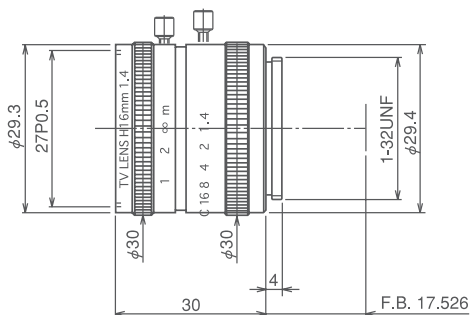
**JF7.5M-2**



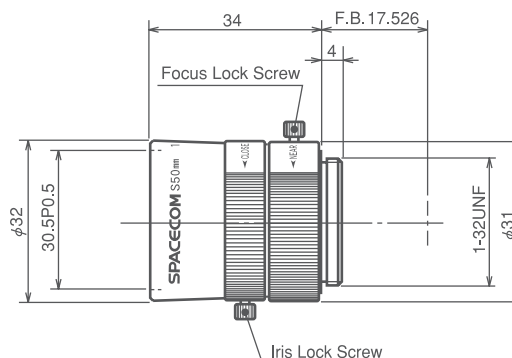
**JF8M-2**



**JF16M-2**



**JF50M**



Unit:mm  
SUBJECT TO CHANGE WITHOUT NOTICE.