

JF4.8M



JF4.8DC



JF4.8AI



JF7.5AI



JF16AI

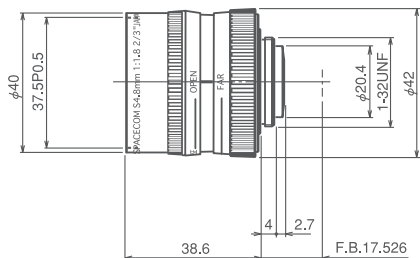


SPECIFICATIONS

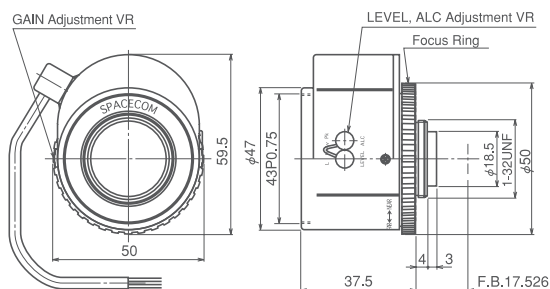
Part NO.	Image Size	Mount	Focal Length f=	Iris Range	Angle of View	M.O.D.	Operation			F.B.	Filter Size	Size (mm)	Weight
							Focus	Zoom	Iris				
JF4.8M	2/3"	C	4.8mm	F1.8-Close	85.0×69.0°	0.2m	Manual	—	Manual	17.526mm	37.5mm	φ42×38.6	75g
JF4.8DC	2/3"	C	4.8mm	F1.8-360	85.0×69.0°	0.2m	Manual	—	DC	17.526mm	43mm	59.5×50×37.5	90g
JF4.8AI	2/3"	C	4.8mm	F1.8-360	85.0×69.0°	0.2m	Manual	—	VIDEO	17.526mm	43mm	59.5×50×37.5	95g
JF7.5AI	2/3"	C	7.5mm	F1.4-360	60.8×47.5°	0.2m	Manual	—	VIDEO	17.526mm	43mm	59.5×50×38.9	90g
JF16AI	2/3"	C	16mm	F1.4-360	30.7×23.3°	0.4m	Manual	—	VIDEO	17.526mm	43mm	59.5×50×38.9	80g

DIMENSIONS

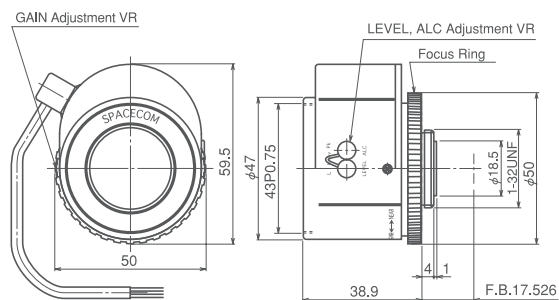
JF4.8M



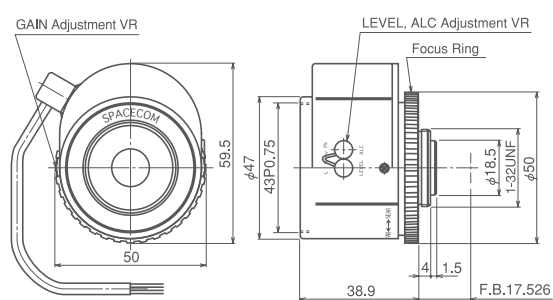
JF4.8DC / JF4.8AI



JF7.5AI



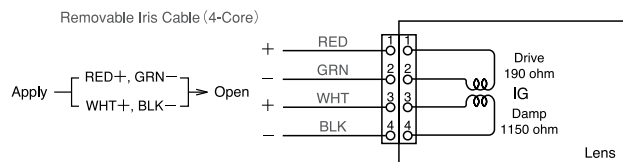
JF16AI



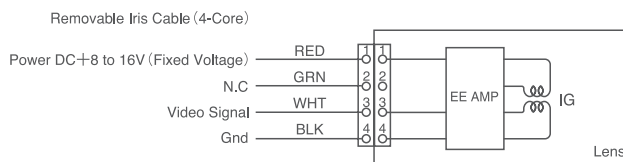
Unit:mm

CIRCUIT DIAGRAM

JF4.8DC



JF4.8AI / JF7.5AI / JF16AI



SUBJECT TO CHANGE WITHOUT NOTICE.