

6X 2/3"

6X Manual Zoom Lenses with macro function for 2/3"

JZ1169M



JZ1169M mold



JZ1169DC



JZ1169AI

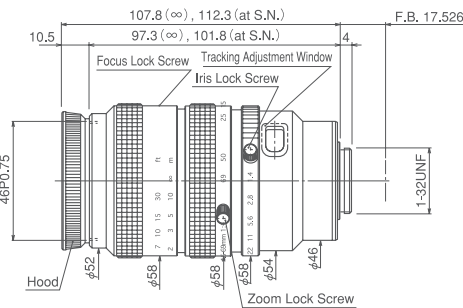


SPECIFICATIONS

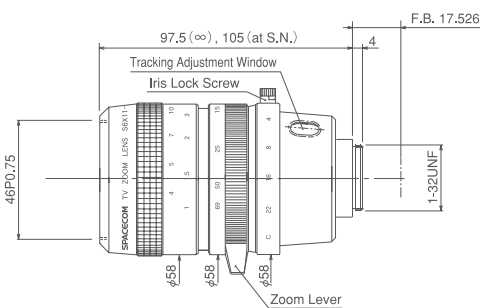
Part NO.	Image Size	Mount	Focal Length f=	Iris Range	Angle of View	M.O.D.	Operation			F.B.	Filter Size	Size (mm)	Weight
							Focus	Zoom	Iris				
JZ1169M	2/3"	C	11.5-69mm	F1.4-Close	41.9×32.0°~7.3×5.5°	0.5m	Manual	Manual	Manual	17.526mm	46mm	φ58×107.8	410g
JZ1169M mold	2/3"	C	11.5-69mm	F1.4-Close	41.9×32.0°~7.3×5.5°	0.3m	Manual	Manual	Manual	17.526mm	46mm	φ58×97.5	395g
JZ1169DC	2/3"	C	11.5-69mm	F1.4-360	41.9×32.0°~7.3×5.5°	0.5m	Manual	Manual	DC	17.526mm	46mm	63×58×107.8	415g
JZ1169AI	2/3"	C	11.5-69mm	F1.4-360	41.9×32.0°~7.3×5.5°	0.5m	Manual	Manual	VIDEO	17.526mm	46mm	63×58×107.8	415g

DIMENSIONS

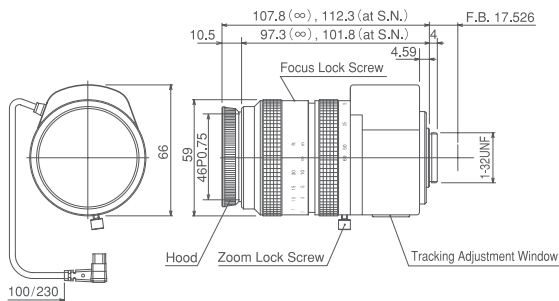
JZ1169M



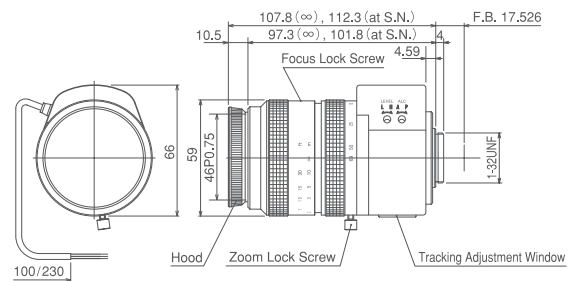
JZ1169M mold



JZ1169DC



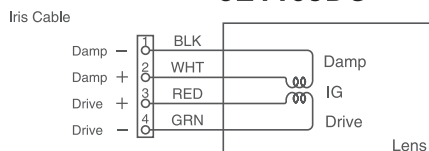
JZ1169AI



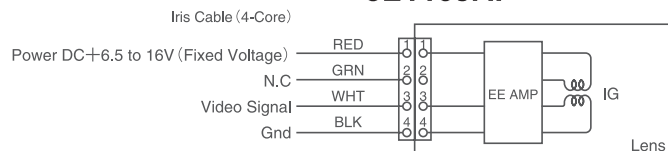
Unit:mm

CIRCUIT DIAGRAM

JZ1169DC



JZ1169AI



SUBJECT TO CHANGE WITHOUT NOTICE.