

HZ848M



HZ848M mold



HZ848DC



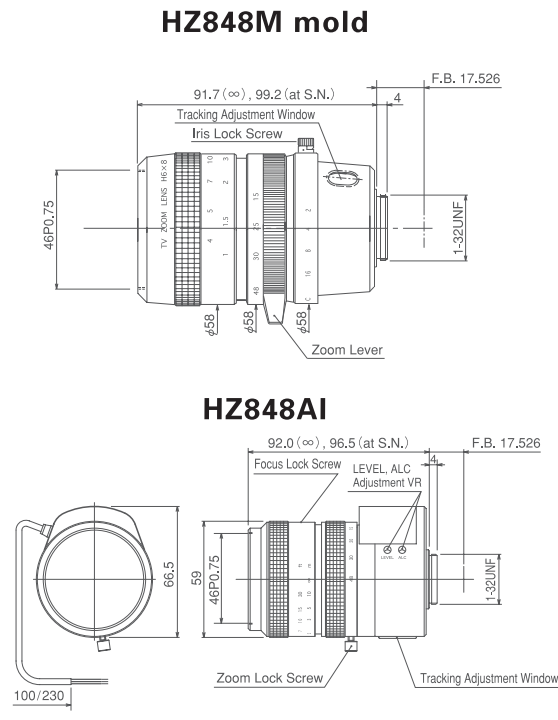
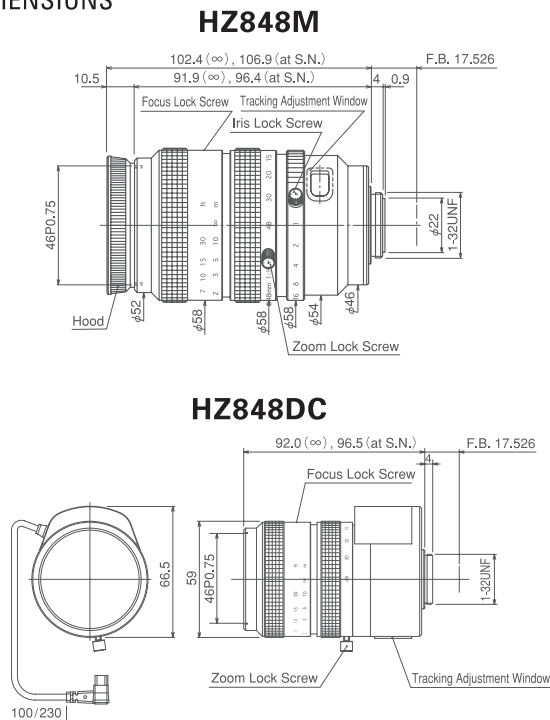
HZ848AI



SPECIFICATIONS

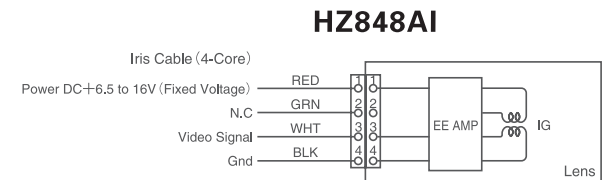
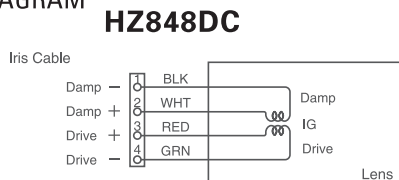
Part NO.	Image Size	Mount	Focal Length $f =$	Iris Range	Angle of View	M.O.D.	Operation			F.B.	Filter Size	Size (mm)	Weight
							Focus	Zoom	Iris				
HZ848M	1/2"	C	8-48mm	F1.0-Close	43.6×33.4°~7.7×5.7°	0.5m	Manual	Manual	Manual	17.526mm	46mm	φ58×102.4	395g
HZ848M mold	1/2"	C	8-48mm	F1.0-Close	43.6×33.4°~7.7×5.7°	0.3m	Manual	Manual	Manual	17.526mm	46mm	φ58×91.7	380g
HZ848DC	1/2"	C	8-48mm	F1.0-360	43.6×33.4°~7.7×5.7°	0.5m	Manual	Manual	DC	17.526mm	46mm	66.5×58×92	400g
HZ848AI	1/2"	C	8-48mm	F1.0-360	43.6×33.4°~7.7×5.7°	0.5m	Manual	Manual	VIDEO	17.526mm	46mm	66.5×58×92	400g

DIMENSIONS



Unit:mm

CIRCUIT DIAGRAM



SUBJECT TO CHANGE WITHOUT NOTICE.