

TAV2712M



TAV2712DC



TAV2712AI

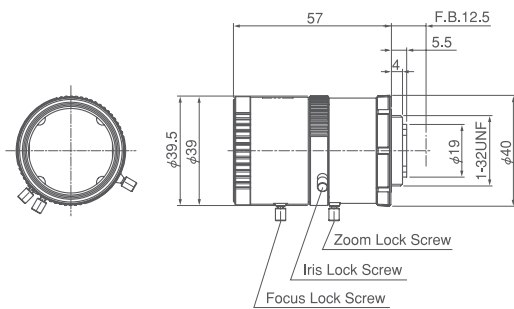


SPECIFICATIONS

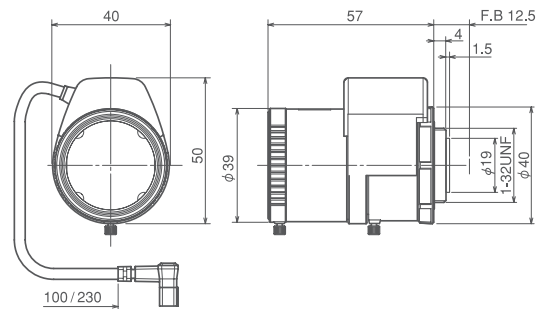
Part NO.	Image Size	Mount	Focal Length f=	Iris Range	Angle of View	M.O.D.	Operation			F.B.	Filter Size	Size (mm)	Weight
							Focus	Zoom	Iris				
TAV2712M	1/3"	CS	2.7-12mm	F1.2-Close	97.4×72.4°~23.8×17.8°	0.3m	Manual	Manual	Manual	12.5mm	—	φ39.5×57	65g
TAV2712DC	1/3"	CS	2.7-12mm	F1.2-360	97.4×72.4°~23.8×17.8°	0.3m	Manual	Manual	DC	12.5mm	—	40×50×57	72g
TAV2712AI	1/3"	CS	2.7-12mm	F1.2-360	97.4×72.4°~23.8×17.8°	0.3m	Manual	Manual	VIDEO	12.5mm	—	43.5×50×57	80g

DIMENSIONS

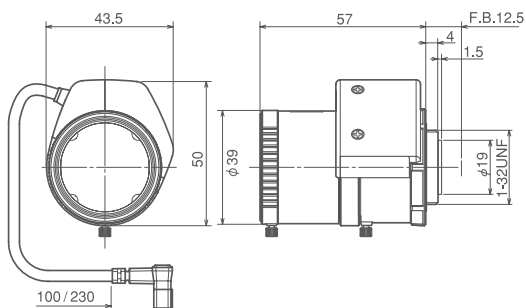
TAV2712M



TAV2712DC



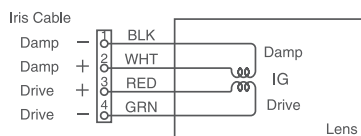
TAV2712AI



Unit:mm

CIRCUIT DIAGRAM

TAV2712DC



TAV2712AI

