

TV555M IR



TV555DC IR

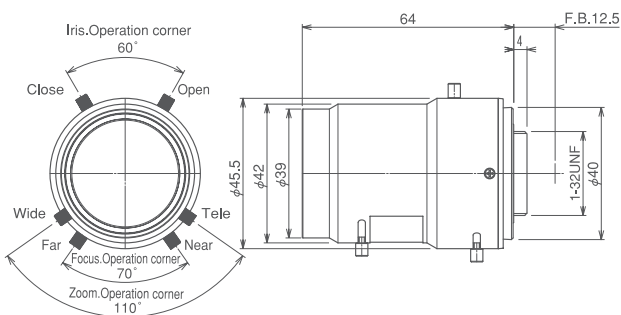


SPECIFICATIONS

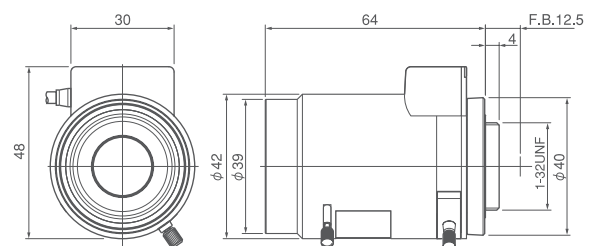
Part NO.	Image Size	Mount	Focal Length f=	Iris Range	Angle of View	M.O.D.	Operation			F.B.	Filter Size	Size (mm)	Weight
							Focus	Zoom	Iris				
TV555M IR	1/3"	CS	5-55mm	F1.4-Close	53.1×40.0°~4.8×3.6°	0.3-0.8m	Manual	Manual	Manual	12.5mm	—	45.5×42×64	73g
TV555DC IR	1/3"	CS	5-55mm	F1.4-360	53.1×40.0°~4.8×3.6°	0.3-0.8m	Manual	Manual	DC	12.5mm	—	48×42×64	93g

DIMENSIONS

TV555M IR



TV555DC IR



Unit:mm

CIRCUIT DIAGRAM

TV555DC IR

