

TV308M-2



TV308DC-2



TV308AI-2

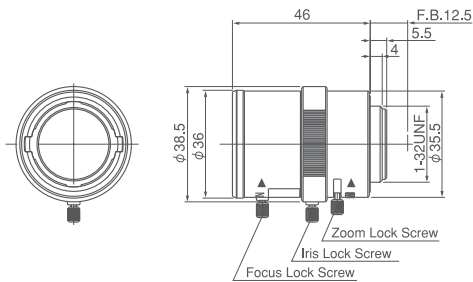


SPECIFICATIONS

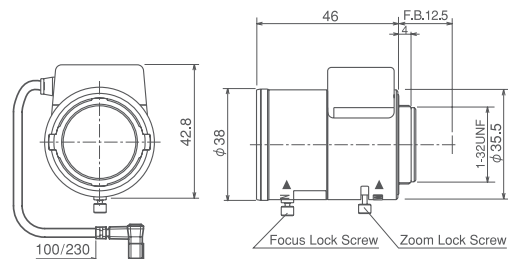
Part NO.	Image Size	Mount	Focal Length f=	Iris Range	Angle of View	M.O.D.	Operation			F.B.	Filter Size	Size (mm)	Weight
							Focus	Zoom	Iris				
TV308M-2	1/3"	CS	3-8mm	F1.2-Close	92.5×68.5°~35.6×26.7°	0.3m	Manual	Manual	Manual	12.5mm	—	φ38.5×46	43g
TV308DC-2	1/3"	CS	3-8mm	F1.2-360	92.5×68.5°~35.6×26.7°	0.3m	Manual	Manual	DC	12.5mm	—	36×42.8×46	63g
TV308AI-2	1/3"	CS	3-8mm	F1.2-360	92.5×68.5°~35.6×26.7°	0.3m	Manual	Manual	VIDEO	12.5mm	—	36×46×46	65g

DIMENSIONS

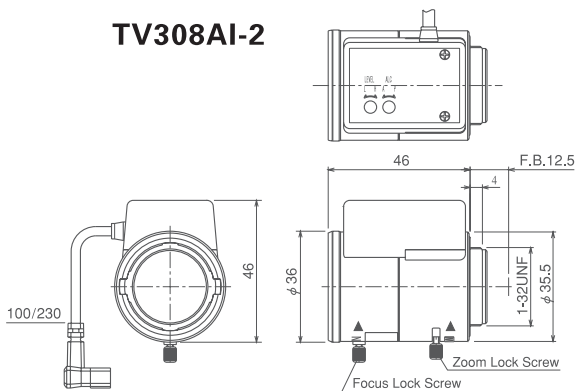
TV308M-2



TV308DC-2



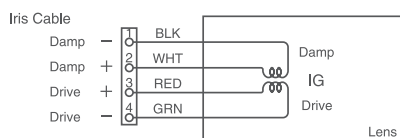
TV308AI-2



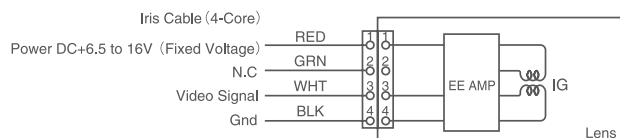
Unit:mm

CIRCUIT DIAGRAM

TV308DC-2



TV308AI-2



SUBJECT TO CHANGE WITHOUT NOTICE.

