

TAV308M



TAV308DC



TAV308AI

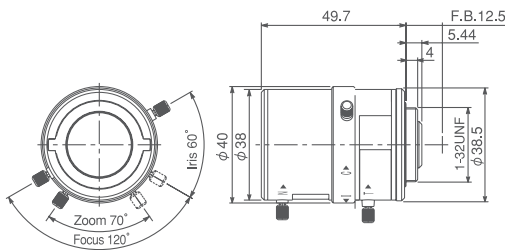


SPECIFICATIONS

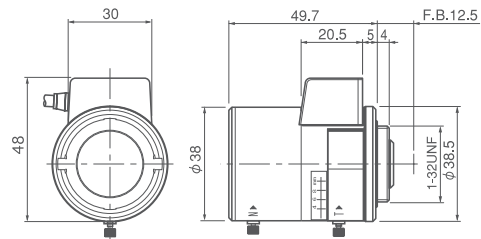
| Part NO. | Image Size | Mount | Focal Length f= | Iris Range | Angle of View | M.O.D. | Operation | | | F.B. | Filter Size | Size (mm) | Weight |
|----------|------------|-------|-----------------|-------------|-----------------------|--------|-----------|--------|--------|--------|-------------|------------|--------|
| | | | | | | | Focus | Zoom | Iris | | | | |
| TAV308M | 1/3" | CS | 3-8mm | F0.95-Close | 94.3×68.9°~36.0×26.9° | 0.3m | Manual | Manual | Manual | 12.5mm | — | 38×49.7 | 60g |
| TAV308DC | 1/3" | CS | 3-8mm | F0.95-360 | 94.3×68.9°~36.0×26.9° | 0.3m | Manual | Manual | DC | 12.5mm | — | 48×38×49.7 | 64g |
| TAV308AI | 1/3" | CS | 3-8mm | F0.95-360 | 94.3×68.9°~36.0×26.9° | 0.3m | Manual | Manual | VIDEO | 12.5mm | — | 50×38×49.7 | 74g |

DIMENSIONS

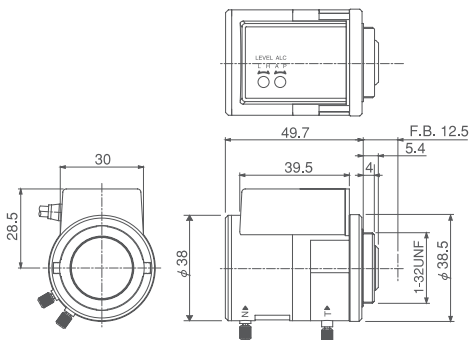
TAV308M



TAV308DC



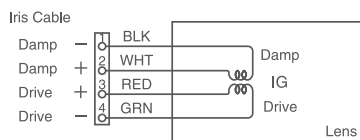
TAV308AI



Unit:mm

CIRCUIT DIAGRAM

TAV308DC



TAV308AI

