

Ultra Super Wide

Ultra-Super Wide
Fixed Focal Lenses for 1/3"

TF2.3M



TF2.3DC

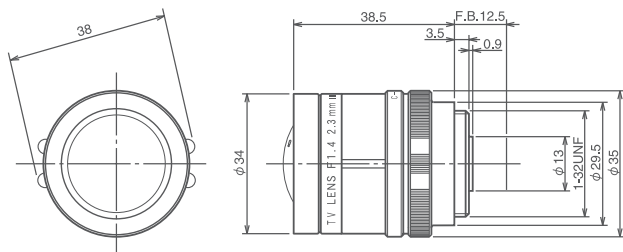


SPECIFICATIONS

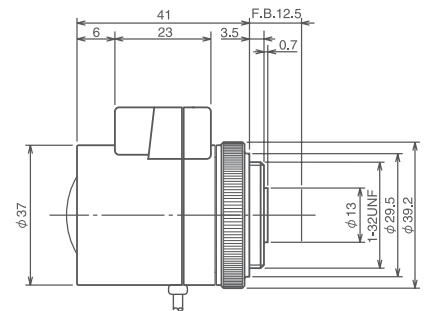
| Part NO. | Image Size | Mount | Focal Length f= | Iris Range | Angle of View | M.O.D. | Operation | | | F.B. | Filter Size | Size (mm) | Weight |
|----------|------------|-------|-----------------|------------|---------------|--------|-----------|------|--------|--------|-------------|-----------|--------|
| | | | | | | | Focus | Zoom | Iris | | | | |
| TF2.3M | 1/3" | CS | 2.3mm | F1.4-Close | 116.1°×87.4° | 0.2m | Manual | — | Manual | 12.5mm | — | 38×38.5 | 67g |
| TF2.3DC | 1/3" | CS | 2.3mm | F1.4-360 | 116.1°×87.4° | 0.2m | Manual | — | DC | 12.5mm | — | 47.5×41 | 80g |

DIMENSIONS

TF2.3M



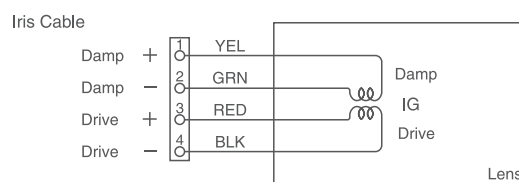
TF2.3DC



Unit:mm

CIRCUIT DIAGRAM

TF2.3DC



SUBJECT TO CHANGE WITHOUT NOTICE.