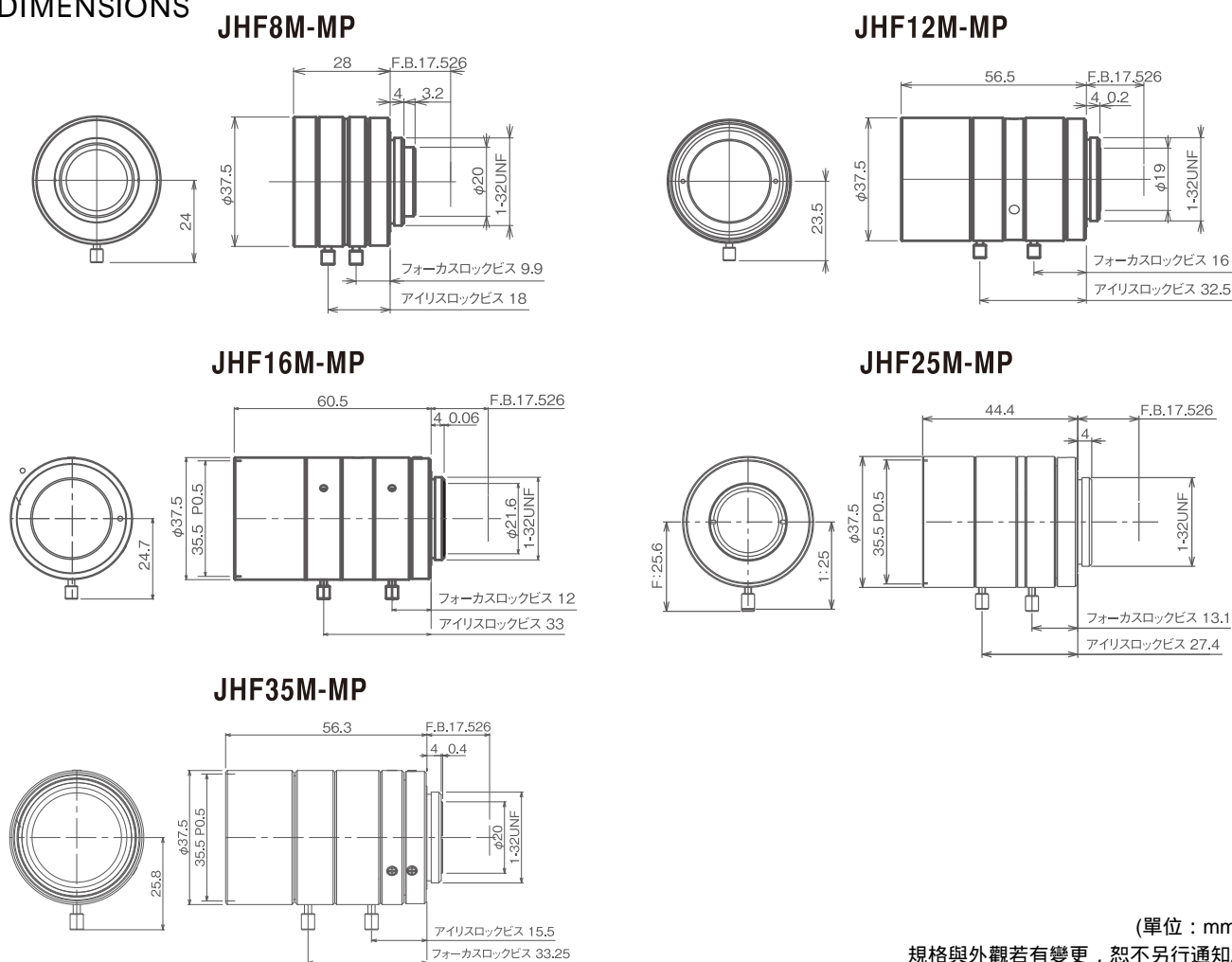




● SPECIFICATIONS

Part NO.	Image Size	Mount	Focal Length f =	Iris Range	Angle of View	M.O.D.	Operation			F.B.	Filter Size	Size (mm)	Weight
							Focus	Zoom	Iris				
JHF8M-MP	2/3"	C	8mm	F1.4-Close	56.7×43.8°	0.1m	Manual	—	Manual	17.526mm	35.5mm	φ37.5×28.0	77g
JHF12M-MP	2/3"	C	12mm	F1.8-Close	40.3×30.8°	0.2m	Manual	—	Manual	17.526mm	35.5mm	φ37.5×56.5	144g
JHF16M-MP	2/3"	C	16mm	F1.4-22	30.8×23.3°	0.2m	Manual	—	Manual	17.526mm	35.5mm	φ37.5×60.5	143g
JHF25M-MP	2/3"	C	25mm	F1.4-Close	19.6×14.8°	0.2m	Manual	—	Manual	17.526mm	35.5mm	φ37.5×44.4	106g
JHF35M-MP	2/3"	C	35mm	F1.4-22	14.3×10.8°	0.25m	Manual	—	Manual	17.526mm	35.5mm	φ37.5×56.3	127g

● DIMENSIONS



(單位：mm)

規格與外觀若有變更，恕不另行通知。