

TF4M



TF4DC



TF4AI

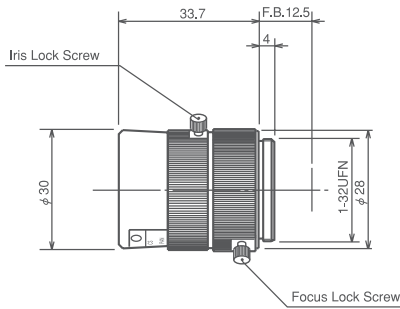


SPECIFICATIONS

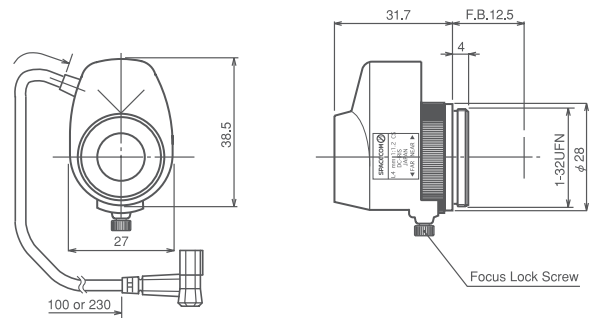
Part NO.	Image Size	Mount	Focal Length f =	Iris Range	Angle of View	M.O.D.	Operation			F.B.	Filter Size	Size (mm)	Weight
							Focus	Zoom	Iris				
TF4M	1/3"	CS	4mm	F1.2-Close	70.7×53.4°	0.1m	Manual	—	Manual	12.5mm	—	φ30×33.7	35g
TF4DC	1/3"	CS	4mm	F1.2-360	70.7×53.4°	0.1m	Manual	—	DC	12.5mm	—	38.5×27×31.7	35g
TF4AI	1/3"	CS	4mm	F1.2-360	70.7×53.4°	0.2m	Manual	—	VIDEO	12.5mm	30.5mm	51×41.5×36.1	50g

DIMENSIONS

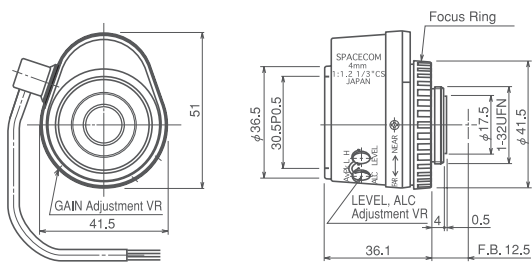
TF4M



TF4DC



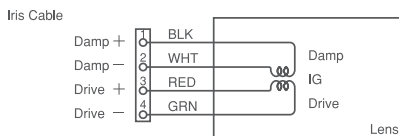
TF4AI



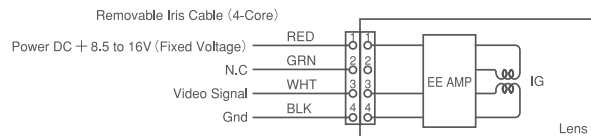
Unit:mm

CIRCUIT DIAGRAM

TF4DC



TF4AI



SUBJECT TO CHANGE WITHOUT NOTICE.